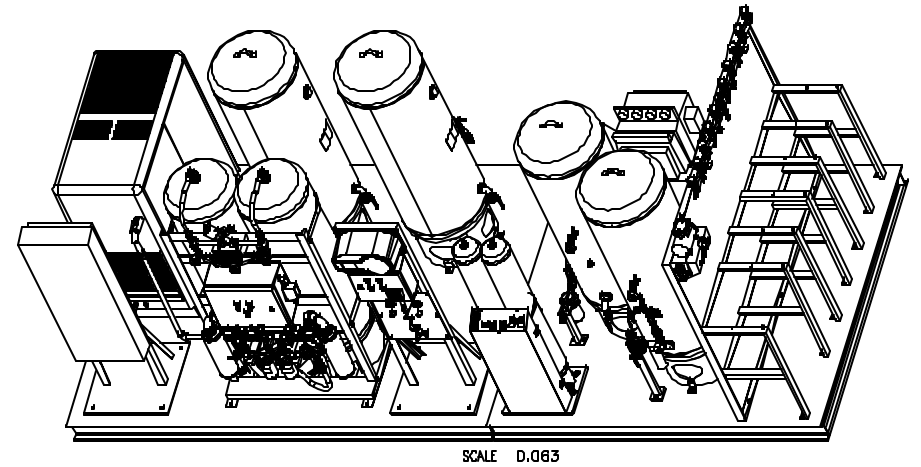
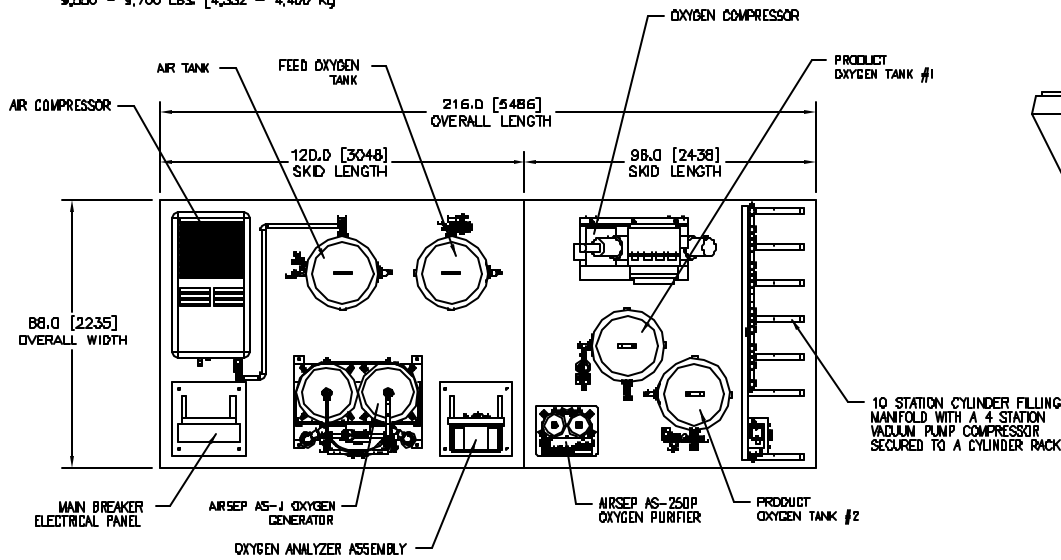
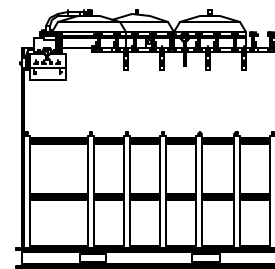
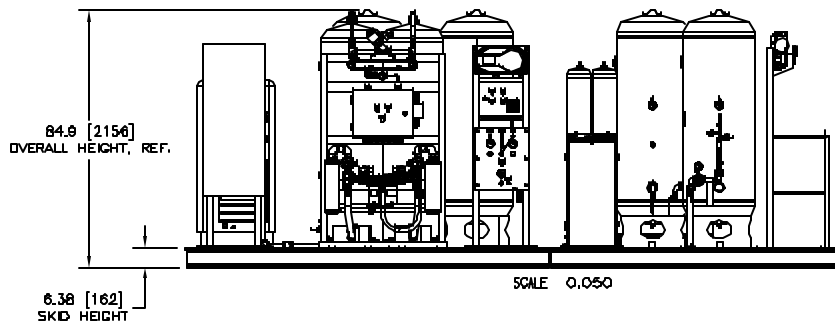


NOTES:

- 1.) DIMENSIONS SHOWN ARE IN INCHES [MILLIMETERS].
- 2.) DRAWING SHOWS MAIN COMPONENTS ONLY. DRAWING TO BE USED TO SHOW SYSTEM LAYOUT ONLY.
- 3.) TOTAL WEIGHT OF SYSTEM WILL VARY BASED ON CUSTOMER'S SITE CONDITIONS AND COMPONENT SPECIFICATIONS. TOTAL WEIGHT OF SYSTEM MAY VARY ANYWHERE BETWEEN 9,660 - 9,700 LBS. [4,332 - 4,400 KG]



10 STATION CYLINDER FILLING MANIFOLD WITH A 4 STATION VACUUM PUMP COMPRESSOR SECURED TO A CYLINDER RACK



DRAWING SUBJECT TO CHANGE WITHOUT NOTICE

REV	REVISION	ECN #	BY	DATE	APP'D

APPROVAL	DATE	
DESIGN	02/08/08	
	SEE BDM	<b>AS250HCRP CYLINDER FILLING TYPICAL PLANT LAYOUT</b> W/A AS250HCRP 1.000 SHEET 1 OF 1

# AIRSEP AS250HCRP CYLINDER FILLING PLANT TYPICAL PLANT LAYOUT

