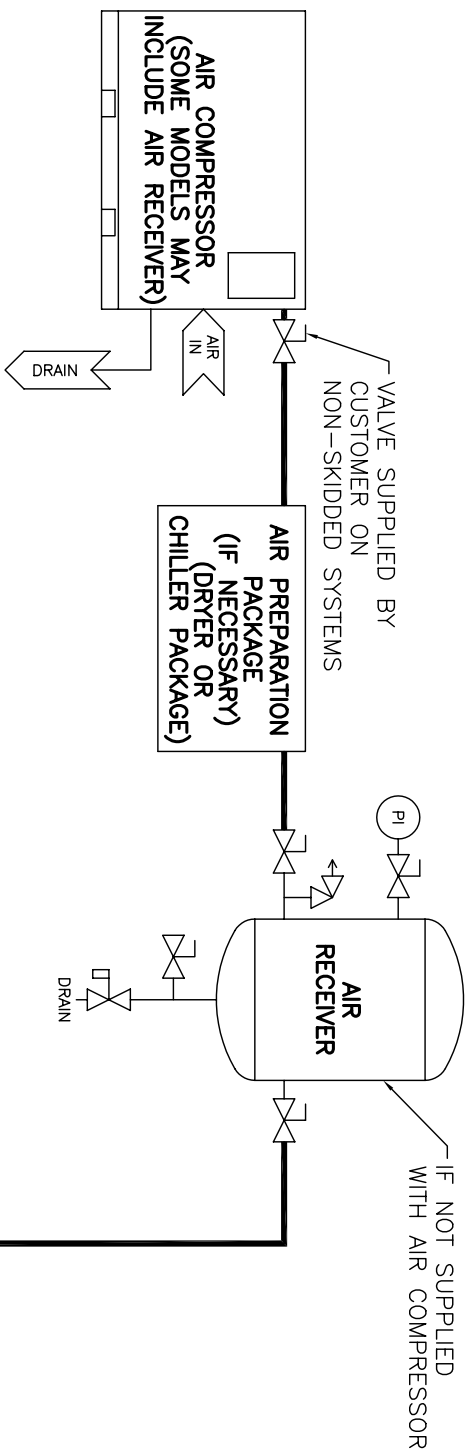


AIRSEP TYPICAL (MEDICAL) CYLINDER FILLING PLANT PROCESS & INSTRUMENTATION DIAGRAM (SKIDDED OR NON-SKIDDED)



| LEGEND | |
|--------|---------------------|
| | CONDENSATE DRAIN |
| | MANUAL VALVE |
| | NEEDLE VALVE |
| | CHECK VALVE |
| | PRESSURE REGULATOR |
| | SAFETY RELIEF VALVE |
| | SOLENOID VALVE |
| | PRESSURE INDICATOR |
| | SLUG |
| | FILTER ASSEMBLY |

— SUPPLIED BY CUSTOMER ON NON-SKIDDED SYSTEMS

